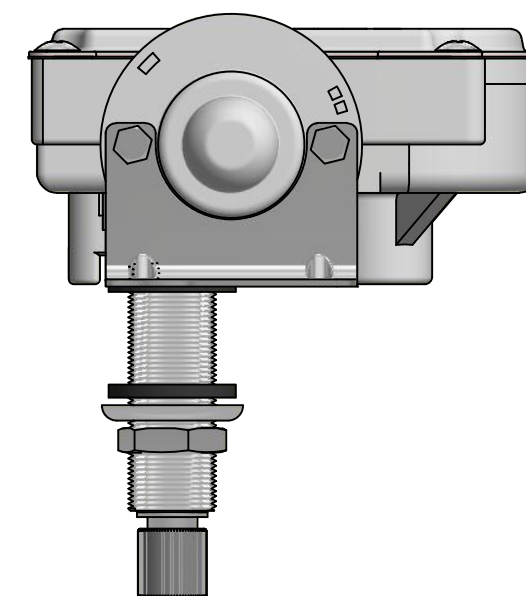
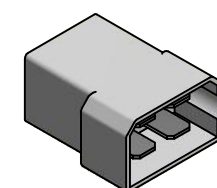


G = Ground (Brown)
 P = Park (Black)
 S = Slow (Green)
 F = Fast (Red)



Specification

Up to 610mm /24" arms
 and 560mm /22" blades

- » 12 and 24Volt.
- » 10Nm torque
- » 2 speeds, 35 and 55sweep/min.
- » Insulated ground.
- » Gable, Tube, Gear house and cover painted white.
- » Cover with grey Roca logo.
- » Stainless steel driveshaft and fastenings.
- » Solid brass nickel plated knurled drive nut
- » Angle plate with 40, 50, 60, 70, 80, 90, 100 and 110° sweep angle.
- » Right and left parking position.
- » EMC tests according to EN50498:2010
- » Motor pre-set to 60° sweep angle and right parking position.

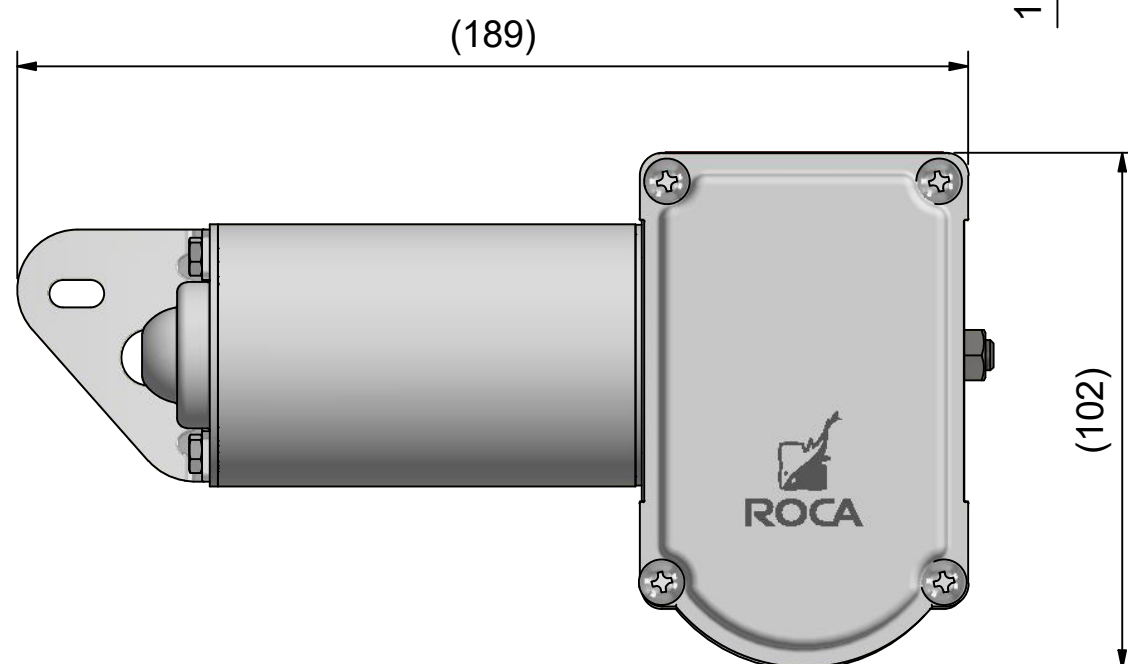


Table			
Item no.	Volt	L1	L2
523011	12	16	42
523012	24	16	42
523021	12	42	68
523022	24	42	68
523031	12	68	94
523032	24	68	94